

FL15-650WH1

NEOMOUNTS FL15-650WH1 TABLET FLOOR

SPECIFICATIONS

GENERAL

VESA minimum	75x75 mm
VESA maximum	75x75 mm

FUNCTIONALITY

Type	Tilt Rotate
Height adjustment	111-126 cm
Lockable	Lockable - Lock included
Tilt (degrees)	+75°
Rotate (degrees)	+90°
Height	126 cm
Width	40 cm
Depth	30 cm

INFORMATION

Color	White
Main material	Steel
Warranty	5 year
EAN code	8717371449346

*Please note: The inch sizes stated are just an indication, combined with the weight and VESA sizes. The maximum weight and VESA size are absolute restrictions for the products and should not be exceeded.



Neomounts FL15-650WH1 Tablet floor stand - 75° tiltable - 90° rotatable - lockable (incl. lock) - VESA 75x75 - bolt-down - suitable for various 9.7-11" tablets - white

The Neomounts FL15-650WH1 is a tablet floor stand that can rotate 90° to switch between portrait and landscape orientation. The casing can be tilted up to 75° for comfortable viewing. The clever design includes six different tablet inlay panels making the tablet holder suitable for various 9,7-11" tablets*.

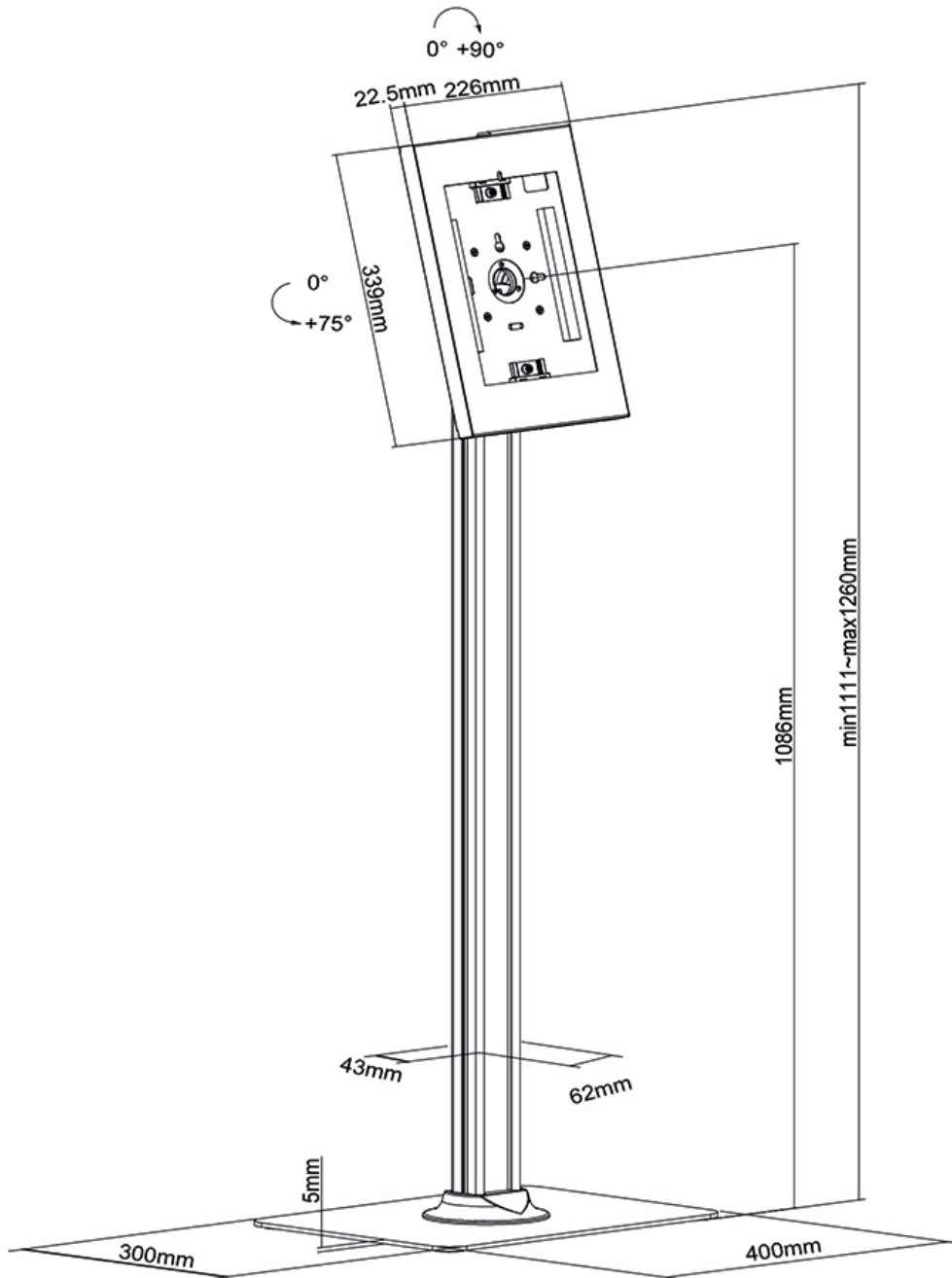
The floor stand features an anti-theft lock and a bolt-down base for extra security. Anti-skid pads protect the tablet from any scratches and the steel construction ensures safe and solid placement. The cable management system enables cables to be routed through the pole.

* Suitable for:

- 9,7" iPad 5/6, iPad Air 1/2 and iPad Pro (Gen 1)
- 10,2" iPad 7/8/9 and 10,5" iPad Air 3, iPad Pro (Gen 2)
- 11" iPad Pro (Gen 3/4/5) and 10,9" iPad Air 4
- 10,4" Samsung Galaxy Tab A7
- 10,1" Samsung Galaxy Tab A
- 10,4" Samsung Galaxy Tab S6

FL15-650WH1

NEOMOUNTS FL15-650WH1 TABLET FLOOR



Neomounts